

Infinite System Specification

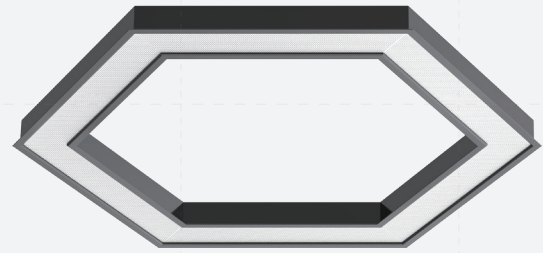
— Hexagon series



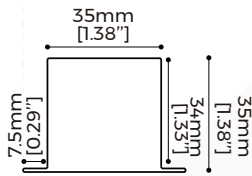
H-RE3535D
H-RE5035D
H-RE7035D
H-RE3535P
H-RE5035P
H-RE7035P



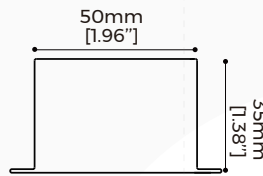
Optical: Diffuser



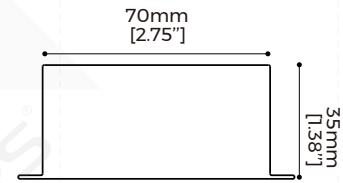
Optical: Prismatic



Model:
H-RE3535D
H-RE3535P



Model:
H-RE5035D
H-RE5035P



Model:
H-RE7035D
H-RE7035P

© Basic Information

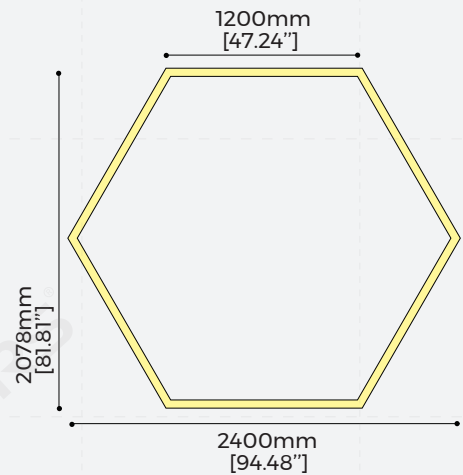
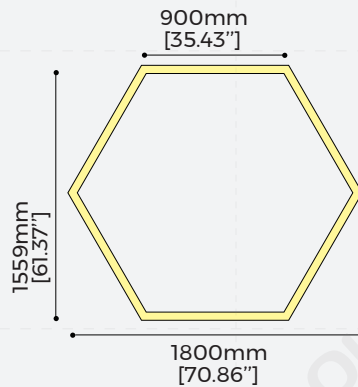
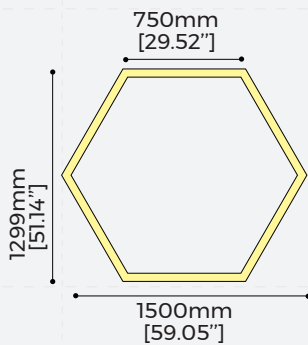
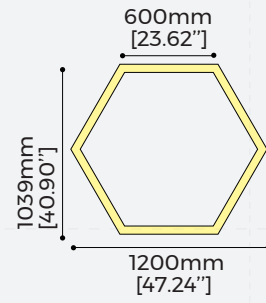
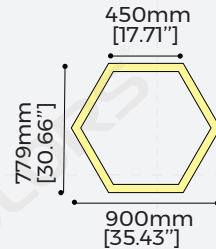
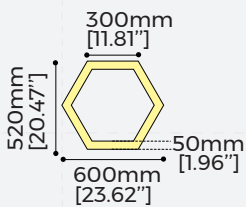
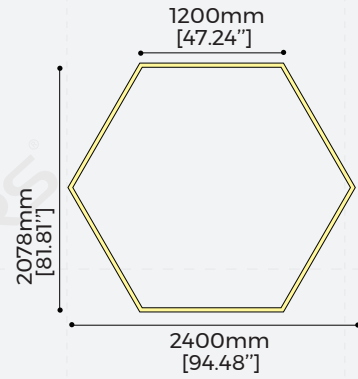
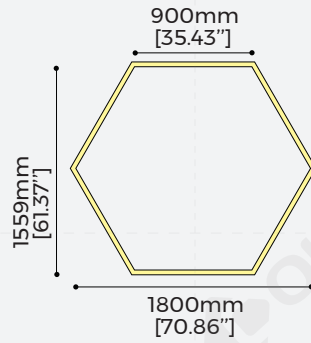
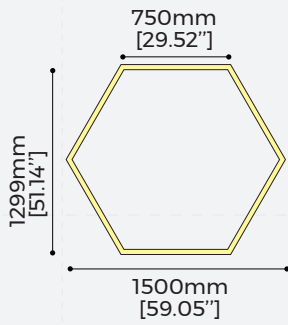
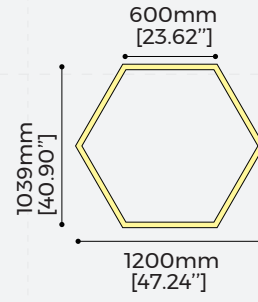
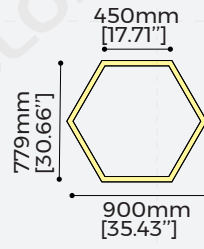
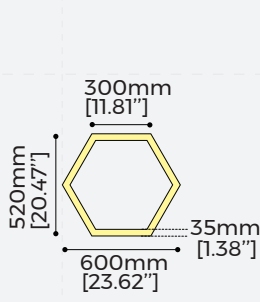
Light efficiency

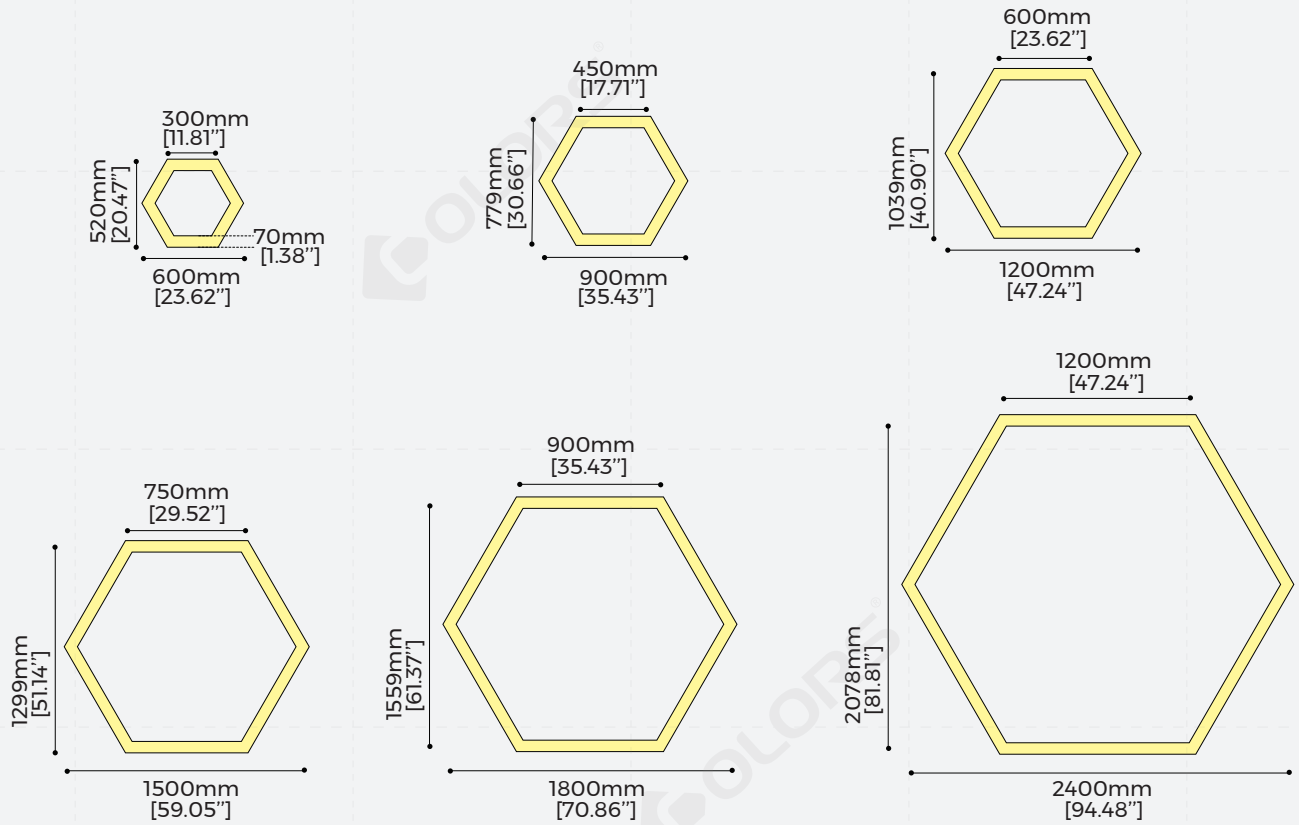
H-RE3535D 100LM/W(Regular), 120LM/W(High-Efficiency)	H-RE3535P 85LM/W(Regular), 105LM/W(High-Efficiency)
H-RE5035D 100LM/W(Regular), 120LM/W(High-Efficiency)	H-RE5035P 90LM/W(Regular), 105LM/W(High-Efficiency)
H-RE7035D 110LM/W(Regular), 135LM/W(High-Efficiency)	H-RE7035P 100LM/W(Regular), 120LM/W(High-Efficiency)

Common information

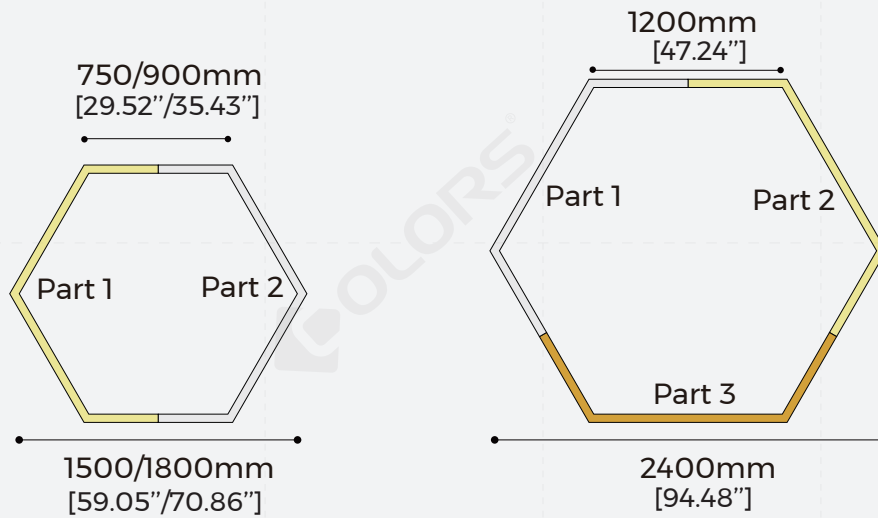
- Material: AL6063-T5, spraying surface
- Color: Black/White/Silver/Orange/Blue/Green /Rose gold/Champagne gold
- Side length: 300/450/600/750/900/1200mm optional
- IP grade: IP20
- CCT: 2700/3000/3500/4000/5000/6500K
- CRI: >80/>90
- SDCM: ≤3 Step
- Dimming method: Non-dimming, 1-10V, DALI2+PUSH
- Application: Indoor
- Installation: Recessed
- Certification: CE, UKCA, ROHS, REACH, CB, ENEC, ETL, LM-80
- Warranty: 5 years

© Product Dimension Information





Case 1: For side length ≤ 600 mm, the lamp is to be produced as complete unit.



Case 2: For side length > 600 mm, the lamp is to be divided into parts

© Luminaire Parameters

Model	Version	Length (mm)	Type Power (W/PCS)	Input Voltage (V)	Input Current (mA)	CRI	Lumens (LM/PCS)	CCT
H-RE3535D	Regular	300 [0.98ft]	35	AC200-240V	180	>80	3500	2700K 3000K 3500K 4000K 5000K 6500K
						>90	3010	
		450 [1.47ft]	54	AC200-240V	270	>80	5400	
						>90	4644	
		600 [1.97ft]	72	AC200-240V	360	>80	7200	
						>90	6192	
	750 [2.46ft]	90	AC200-240V	450	>80	9000		
					>90	7740		
	900 [2.95ft]	108	AC200-240V	550	>80	10800		
					>90	9288		
	1200 [3.94ft]	144	AC200-240V	730	>80	14400		
					>90	12384		
	High-Efficiency	300 [0.98ft]	35	AC200-240V	180	>80	4200	
						>90	3612	
450 [1.47ft]		54	AC200-240V	270	>80	6480		
					>90	5573		
600 [1.97ft]		72	AC200-240V	360	>80	8640		
					>90	7430		
750 [2.46ft]	90	AC200-240V	450	>80	10800			
				>90	9288			
900 [2.95ft]	108	AC200-240V	550	>80	12960			
				>90	11146			
1200 [3.94ft]	144	AC200-240V	730	>80	17280			
				>90	14861			

Model	Version	Length (mm)	Type Power (W/PCS)	Input Voltage (V)	Input Current (mA)	CRI	Lumens (LM/PCS)	CCT
H-RE3535P	Regular	300 [0.98ft]	35	AC200-240V	180	>80	2975	2700K 3000K 3500K 4000K 5000K 6500K
						>90	2559	
		450 [1.47ft]	54	AC200-240V	270	>80	4590	
						>90	3947	
		600 [1.97ft]	72	AC200-240V	360	>80	6120	
						>90	5263	
	750 [2.46ft]	90	AC200-240V	450	>80	7650		
					>90	6579		
	900 [2.95ft]	108	AC200-240V	550	>80	9180		
					>90	7895		
	1200 [3.94ft]	144	AC200-240V	730	>80	12240		
					>90	10526		
	High-Efficiency	300 [0.98ft]	35	AC200-240V	180	>80	3675	
						>90	3161	
450 [1.47ft]		54	AC200-240V	270	>80	5670		
					>90	4876		
600 [1.97ft]		72	AC200-240V	360	>80	7560		
					>90	6502		
750 [2.46ft]	90	AC200-240V	450	>80	9450			
				>90	8127			
900 [2.95ft]	108	AC200-240V	550	>80	11340			
				>90	9752			
1200 [3.94ft]	144	AC200-240V	730	>80	15120			
				>90	13003			

Model	Version	Length (mm)	Type Power (W/PCS)	Input Voltage (V)	Input Current (mA)	CRI	Lumens (LM/PCS)	CCT
H-RE5035D	Regular	300 [0.98ft]	45	AC200-240V	230	>80	4500	2700K 3000K 3500K 4000K 5000K 6500K
						>90	3870	
		450 [1.47ft]	66	AC200-240V	330	>80	6600	
						>90	5676	
		600 [1.97ft]	90	AC200-240V	450	>80	9000	
						>90	7740	
		750 [2.46ft]	110	AC200-240V	560	>80	11000	
						>90	9460	
		900 [2.95ft]	132	AC200-240V	670	>80	13200	
						>90	11352	
		1200 [3.94ft]	176	AC200-240V	890	>80	17600	
						>90	15136	
	High-Efficiency	300 [0.98ft]	45	AC200-240V	230	>80	5400	
						>90	4644	
		450 [1.47ft]	66	AC200-240V	330	>80	7920	
						>90	6811	
		600 [1.97ft]	90	AC200-240V	450	>80	10800	
						>90	9288	
		750 [2.46ft]	110	AC200-240V	560	>80	13200	
						>90	11352	
		900 [2.95ft]	132	AC200-240V	670	>80	15840	
						>90	13622	
		1200 [3.94ft]	176	AC200-240V	890	>80	21120	
						>90	18163	

Model	Version	Length (mm)	Type Power (W/PCS)	Input Voltage (V)	Input Current (mA)	CRI	Lumens (LM/PCS)	CCT
H-RE5035P	Regular	300 [0.98ft]	45	AC200-240V	230	>80	4050	2700K 3000K 3500K 4000K 5000K 6500K
						>90	3483	
		450 [1.47ft]	66	AC200-240V	330	>80	5940	
						>90	5108	
		600 [1.97ft]	90	AC200-240V	450	>80	8100	
						>90	6966	
	750 [2.46ft]	110	AC200-240V	560	>80	9900		
					>90	8514		
	900 [2.95ft]	132	AC200-240V	670	>80	11880		
					>90	10217		
	1200 [3.94ft]	176	AC200-240V	890	>80	15840		
					>90	13622		
	High-Efficiency	300 [0.98ft]	45	AC200-240V	230	>80	4725	
						>90	4064	
450 [1.47ft]		66	AC200-240V	330	>80	6930		
					>90	5960		
600 [1.97ft]		90	AC200-240V	450	>80	9450		
					>90	8127		
750 [2.46ft]	110	AC200-240V	560	>80	11550			
				>90	9933			
900 [2.95ft]	132	AC200-240V	670	>80	13860			
				>90	11920			
1200 [3.94ft]	176	AC200-240V	890	>80	18480			
				>90	15893			

Model	Version	Length (mm)	Type Power (W/PCS)	Input Voltage (V)	Input Current (mA)	CRI	Lumens (LM/PCS)	CCT
H-RE7035D	Regular	300 [0.98ft]	58	AC200-240V	290	>80	6380	2700K 3000K 3500K 4000K 5000K 6500K
						>90	5487	
		450 [1.47ft]	90	AC200-240V	450	>80	9900	
						>90	8514	
		600 [1.97ft]	116	AC200-240V	590	>80	12760	
						>90	10974	
		750 [2.46ft]	148	AC200-240V	750	>80	16280	
						>90	14001	
		900 [2.95ft]	176	AC200-240V	890	>80	19360	
						>90	16650	
		1200 [3.94ft]	235	AC200-240V	1190	>80	25850	
						>90	22231	
	High-Efficiency	300 [0.98ft]	58	AC200-240V	290	>80	7830	
						>90	6734	
		450 [1.47ft]	90	AC200-240V	450	>80	12150	
						>90	10449	
		600 [1.97ft]	116	AC200-240V	590	>80	15660	
						>90	13468	
		750 [2.46ft]	148	AC200-240V	750	>80	19980	
						>90	17183	
		900 [2.95ft]	176	AC200-240V	890	>80	23760	
						>90	20434	
		1200 [3.94ft]	235	AC200-240V	1190	>80	31725	
						>90	27284	

Model	Version	Length (mm)	Type Power (W/PCS)	Input Voltage (V)	Input Current (mA)	CRI	Lumens (LM/PCS)	CCT
H-RE7035P	Regular	300 [0.98ft]	58	AC200-240V	290	>80	5800	2700K 3000K 3500K 4000K 5000K 6500K
						>90	4988	
		450 [1.47ft]	90	AC200-240V	450	>80	9000	
						>90	7740	
		600 [1.97ft]	116	AC200-240V	590	>80	11600	
						>90	9976	
		750 [2.46ft]	148	AC200-240V	750	>80	14800	
						>90	12728	
		900 [2.95ft]	176	AC200-240V	890	>80	17600	
						>90	15136	
		1200 [3.94ft]	235	AC200-240V	1190	>80	23500	
						>90	20210	
	High-Efficiency	300 [0.98ft]	58	AC200-240V	290	>80	6960	
						>90	5986	
		450 [1.47ft]	90	AC200-240V	450	>80	10800	
						>90	9288	
		600 [1.97ft]	116	AC200-240V	590	>80	13920	
						>90	11971	
		750 [2.46ft]	148	AC200-240V	750	>80	17760	
						>90	15274	
		900 [2.95ft]	176	AC200-240V	890	>80	21120	
						>90	18163	
		1200 [3.94ft]	235	AC200-240V	1190	>80	28200	
						>90	24252	

Note:

1. The output data is based on white coated luminaire with Ra80,4000K.
2. The above Lumens data are at 4000K color temperature.
3. High-efficiency version does not do 3500K and 5000K
4. The tolerance of output data can be vary up to 15%.
5. The output data is typical value.
6. The following is an example of lumen conversion instructions:

CCT	RA	Ratio of lumens (white coated luminaire)	Ratio of lumens (Other coated colors of luminaire)
2700K	80	90%	Calculate white coated luminaire lumens first, then multiply by 90 %
	90	77%	
3000K	80	93%	
	90	80%	
3500K	80	97%	
	90	83%	
4000K	80	100%	
	90	86%	
5000K	80	100%	
	90	86%	
6500K	80	100%	
	90	86%	

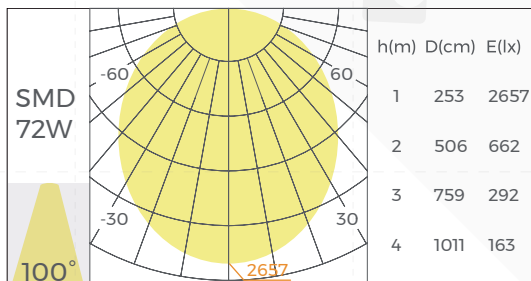
Note: All other lumens are to be based on white coated luminaire with 4000K, RA80(100%); and multiplied by the percentage in the table above.

Assuming a 4000K, RA80 white coated luminaire with 1000lm lumens:

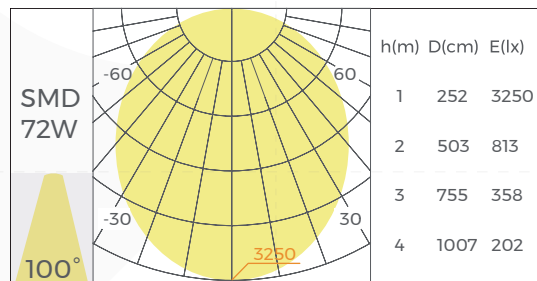
Example 1: If you need 4000K, RA90 lumens (white coated luminaire)	$1000 * 86\% = 860\text{lm}$
Example 2: If you need 4000K, RA90 lumens (other coated colors of luminaire)	$1000 * 86\% * 90\% = 774\text{lm}$
Example 3: If you need 3000K, RA80 lumens (white coated luminaire)	$1000 * 93\% = 930\text{lm}$
Example 4: If you need 3000K, RA90 lumens (white coated luminaire)	$1000 * 80\% = 800\text{lm}$
Example 5: If you need 5000K, RA80 lumens (white coated luminaire)	$1000 * 100\% = 1000\text{lm}$

© Optical Parameter

【H-RE3535D】



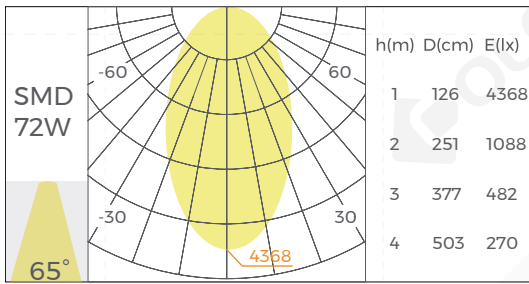
Regular version



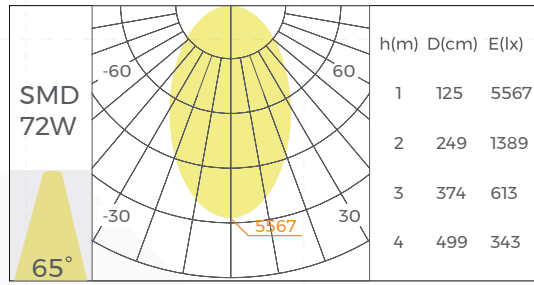
High-efficiency version

*The above data is based on a 600mm side length luminaire with Ra80,4000K.

【H-RE3535P】



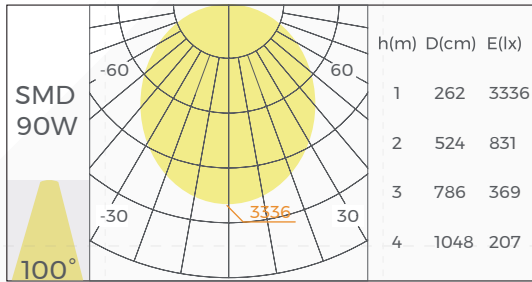
Regular version



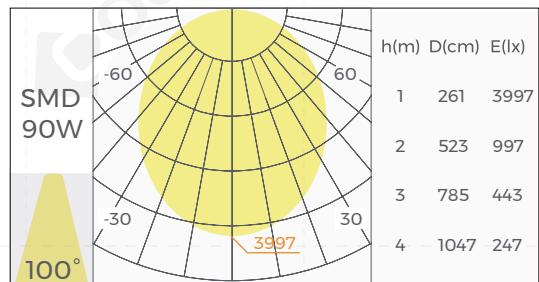
High-efficiency version

*The above data is based on a 600mm side length luminaire with Ra80,4000K.

【H-RE5035D】



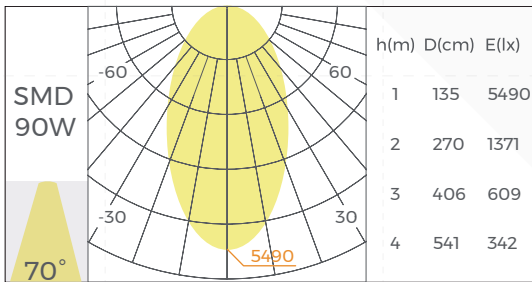
Regular version



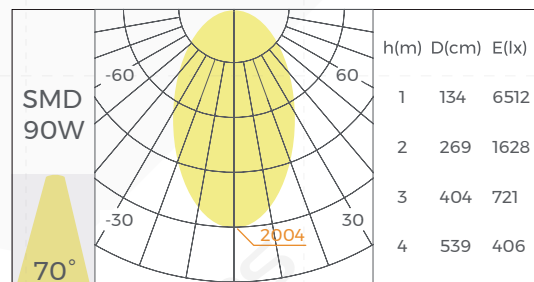
High-efficiency version

*The above data is based on a 600mm side length luminaire with Ra80,4000K.

【H-RE5035P】



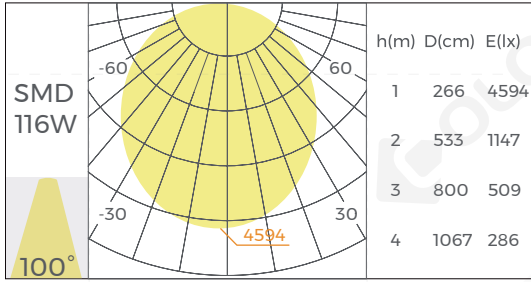
Regular version



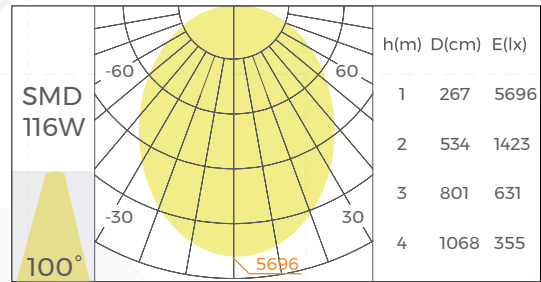
High-efficiency version

*The above data is based on a 600mm side length luminaire with Ra80,4000K.

【H-RE7035D】



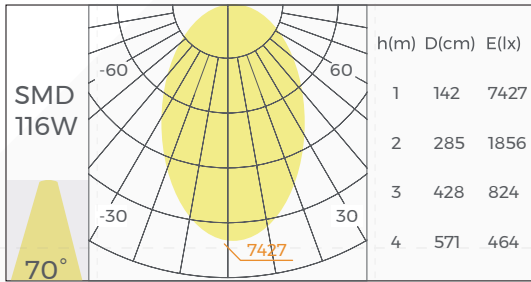
Regular version



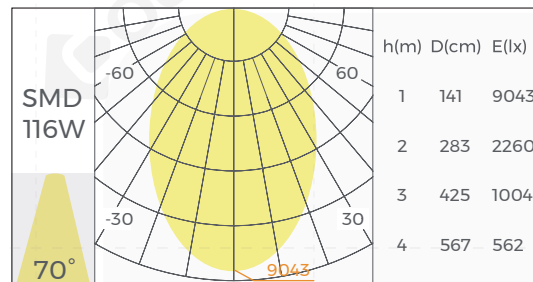
High-efficiency version

*The above data is based on a 600mm side length luminaire with Ra80,4000K.

【H-RE7035P】



Regular version

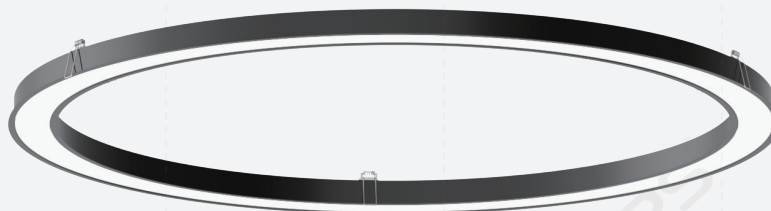


High-efficiency version

*The above data is based on a 600mm side length luminaire with Ra80,4000K.

◎ Installation

External power supply



Recessed

- Note:
1. The above illustration shows the installation method.
 2. The above luminaire shape is for installation illustration only.

© Packing

Model	Quantity (PCS/carton)	NW (kg/carton)	GW (kg/carton)	Size (mm/carton)
H-RE3535D0300(R)-N840W035	4	5.95	8.35	680*580*380 [26.77"*22.83"*14.96"]
H-RE3535D0450(R)-N840W054	4	8.76	11.96	960*850*380 [37.79"*33.46"*14.96"]
H-RE3535D0600(R)-N840W072	4	11.52	15.52	1260*1090*380 [49.60"*42.91"*14.96"]
H-RE3535D0750(R)-N840W090	4	14.40	19.20	1350*800*520 [53.14"*31.49"*20.47"]
H-RE3535D0900(R)-N840W108	2	8.64	11.44	1350*800*260 [53.14"*31.49"*10.23"]
H-RE3535D1200(R)-N840W144	2	11.52	14.72	1860*570*460 [73.22"*22.44"*18.11"]
H-RE5035D0300(R)-N840W045	4	7.44	9.84	680*580*380 [26.77"*22.83"*14.96"]
H-RE5035D0450(R)-N840W066	4	10.94	14.14	960*850*380 [37.79"*33.46"*14.96"]
H-RE5035D0600(R)-N840W090	4	14.40	18.40	1260*1090*380 [49.60"*42.91"*14.96"]
H-RE5035D0750(R)-N840W110	4	18.00	22.80	1350*800*520 [53.14"*31.49"*20.47"]
H-RE5035D0900(R)-N840W132	2	10.80	13.60	1350*800*260 [53.14"*31.49"*10.23"]
H-RE5035D1200(R)-N840W176	2	14.40	17.60	1860*570*460 [73.22"*22.44"*18.11"]
H-RE7035D0300(R)-N840W058	4	8.93	11.33	680*580*380 [26.77"*22.83"*14.96"]
H-RE7035D0450(R)-N840W090	4	13.13	16.33	960*850*380 [37.79"*33.46"*14.96"]
H-RE7035D0600(R)-N840W116	4	17.28	21.28	1260*1090*380 [49.60"*42.91"*14.96"]

Model	Quantity (PCS/carton)	NW (kg/carton)	GW (kg/carton)	Size (mm/carton)
H-RE7035D0750(R)-N840W148	4	21.60	26.40	1350*800*520 [53.14"*31.49"*20.47"]
H-RE7035D0900(R)-N840W176	2	12.96	15.76	1350*800*260 [53.14"*31.49"*10.23"]
H-RE7035D1200(R)-N840W235	2	17.28	20.48	1860*570*460 [73.22"*22.44"*18.11"]

Note:

1. Lamps packaged without inner box, directly use the outer box.
2. Use one outer box for each lamp, and then use the wrap and corner protectors to tie them together according to the quantity of carton above.
3. The above weight data is for reference, the exact data should be based on the weight of the physical weighing shall prevail.

Model Code



Attentions

1. Non-professionals are prohibited from installing, disassembling and repairing the product.
2. Avoid scratching, distortion and irregular bending of the product during installation; otherwise it may cause irreparable damage to the product.
3. Please use professional cutting tools when cutting
4. Do not use any acid or alkaline adhesive to fix products
5. The product is only suitable for indoor dry places, can not be used in outdoor, seaside or wet environment.
6. PC features: Each 10°C rise or drop will make diffuser extend or shrink 0.8mm/m, please confirm before processing and use